

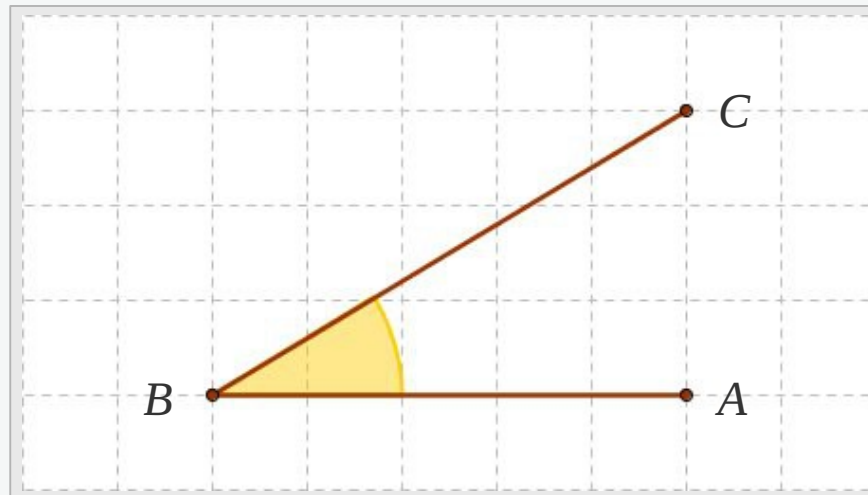


Eibelstadt
Angles



Angles

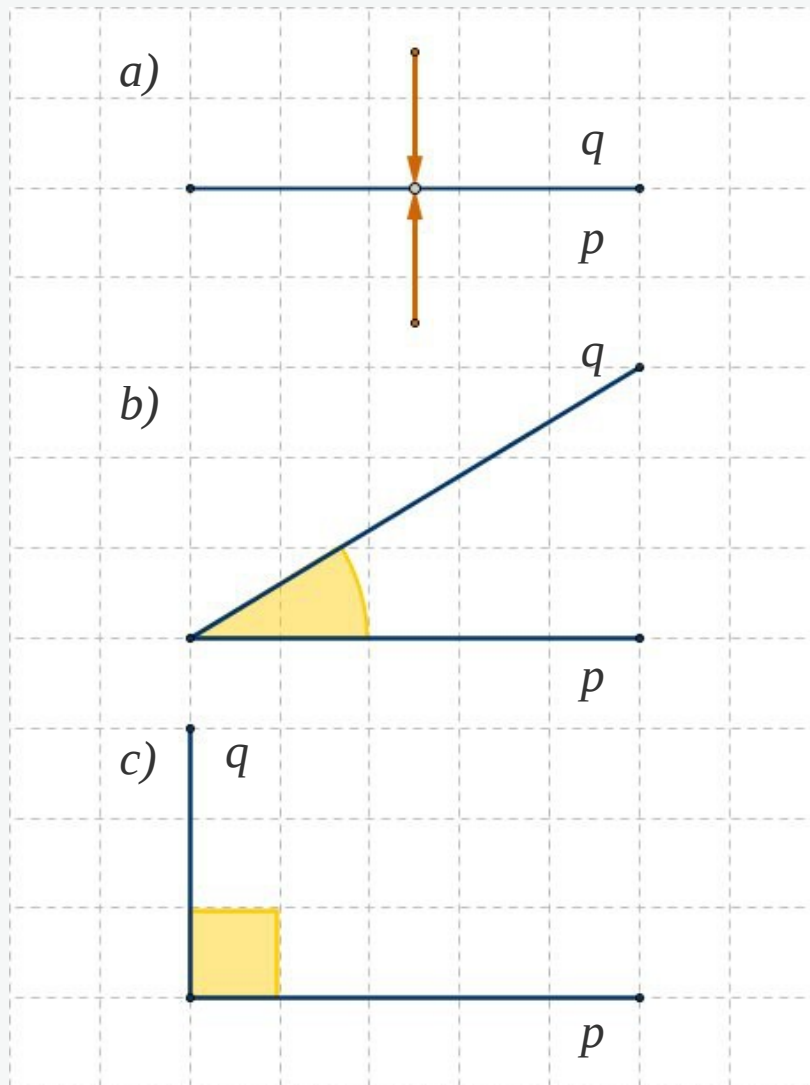
Angles appear everywhere in geometry, where distances, lines or planes touch, cross or intersect.



The lines AB and BC are the sides of the angle and the common endpoint B is called vertex of the angle.

Types of angles

Angles have different names depending on their size

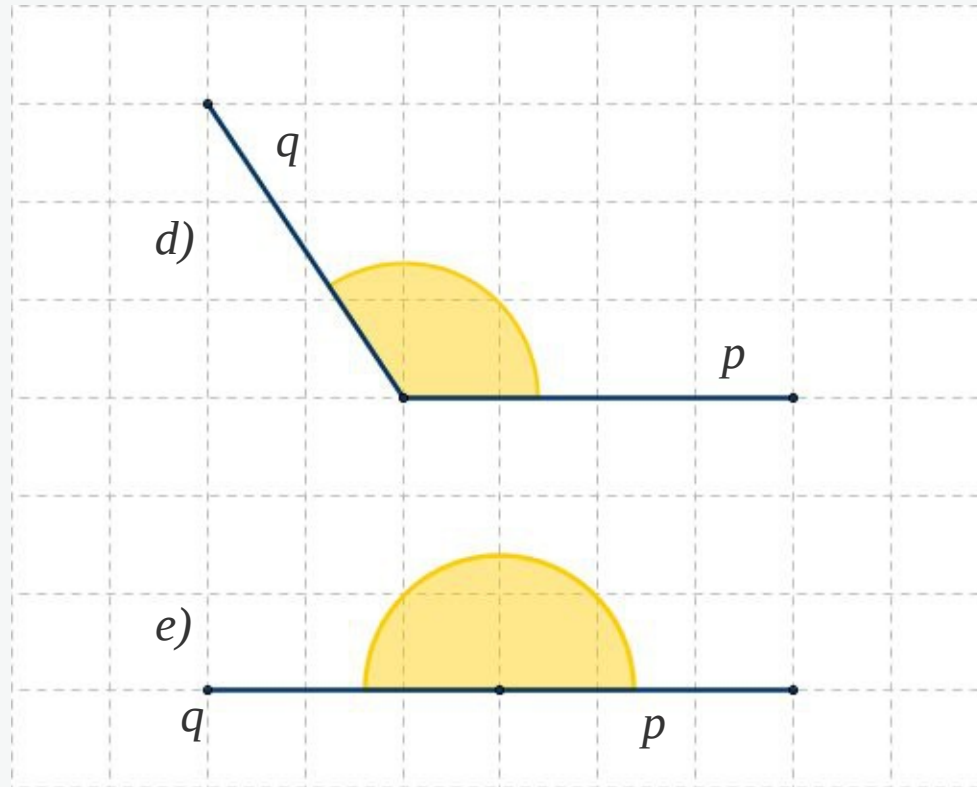


$\alpha = 0$ - zero angle

$\alpha < 90^\circ$ - acute angle

$\alpha = 90^\circ$ - right angle

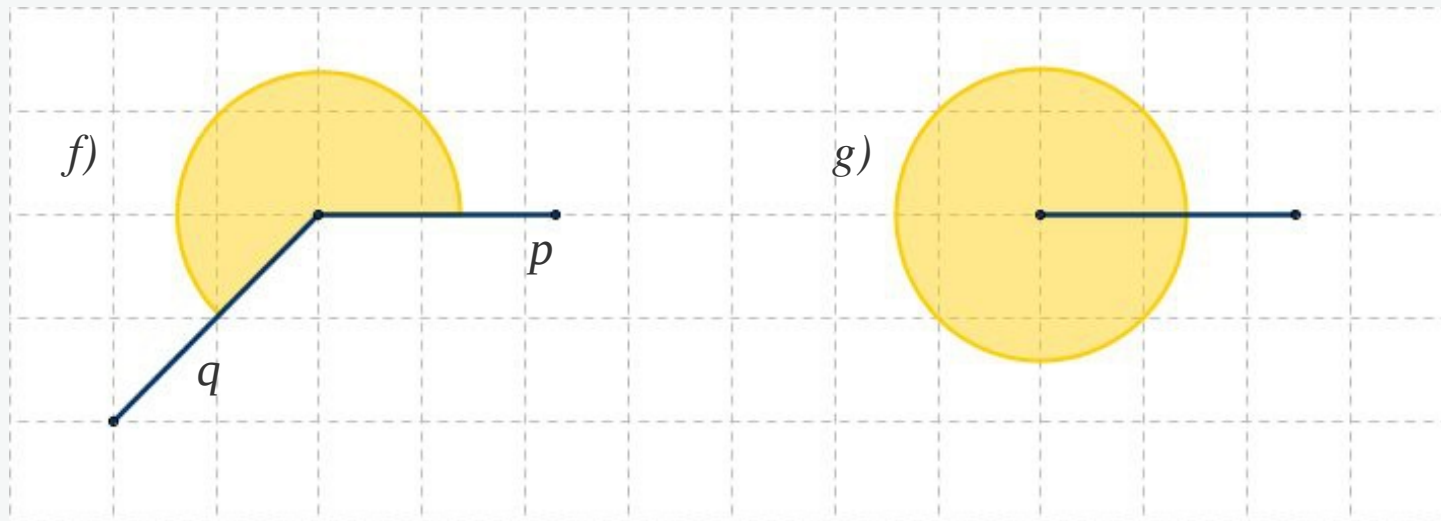
Types of angles



d) $90^\circ < \alpha < 180^\circ$ – obtuse angle

e) $\alpha = 180^\circ$ – straight angle

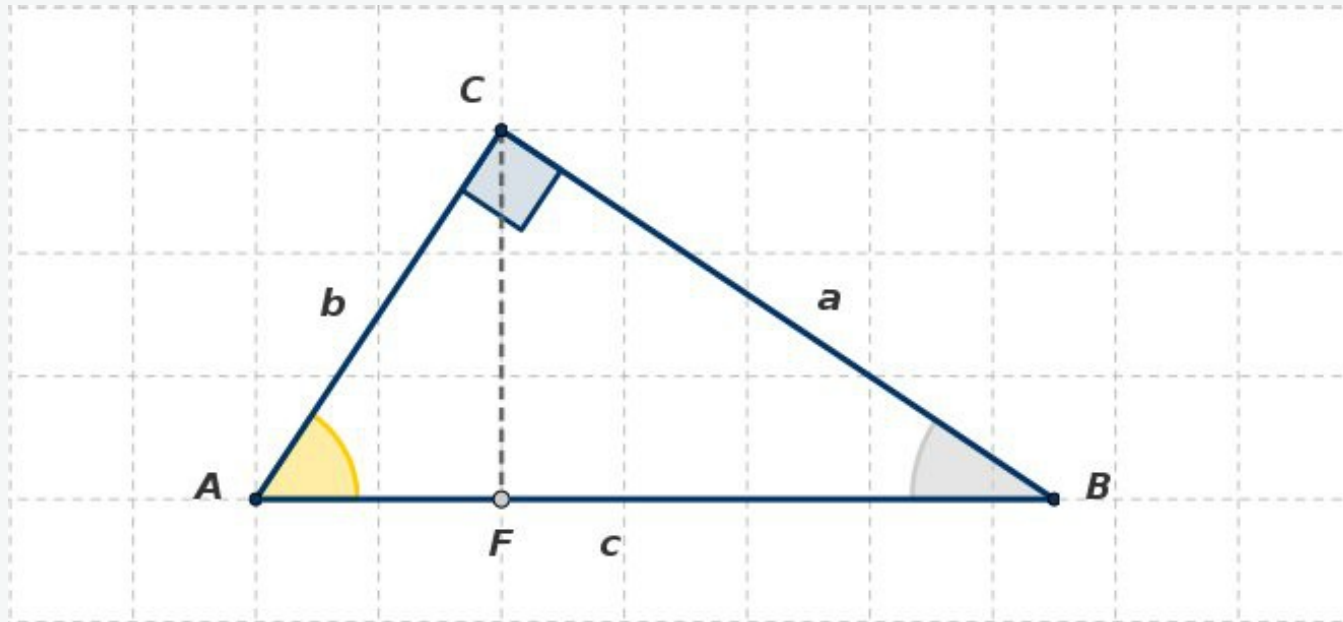
Types of angles



f) $180^\circ < \alpha < 360^\circ$ – reflex angle

g) $\alpha = 360^\circ$ – full angle

Right triangle



right triangle or right-angled triangle

also: rectangled triangle or rectangular triangle